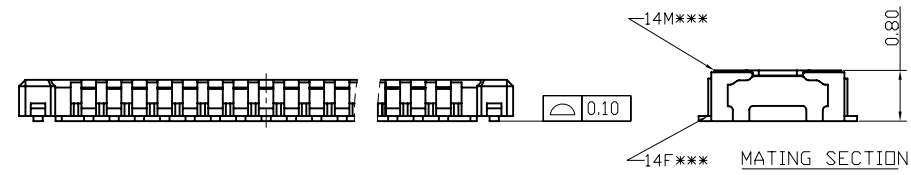
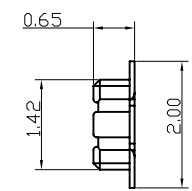
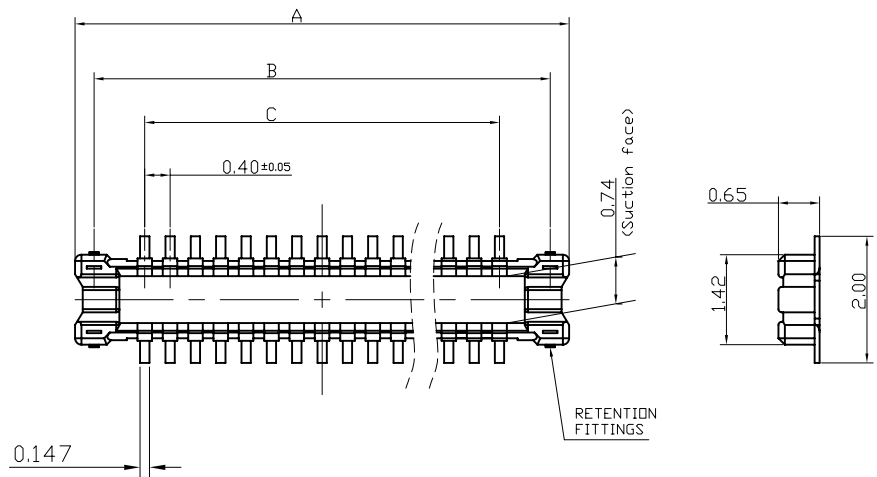
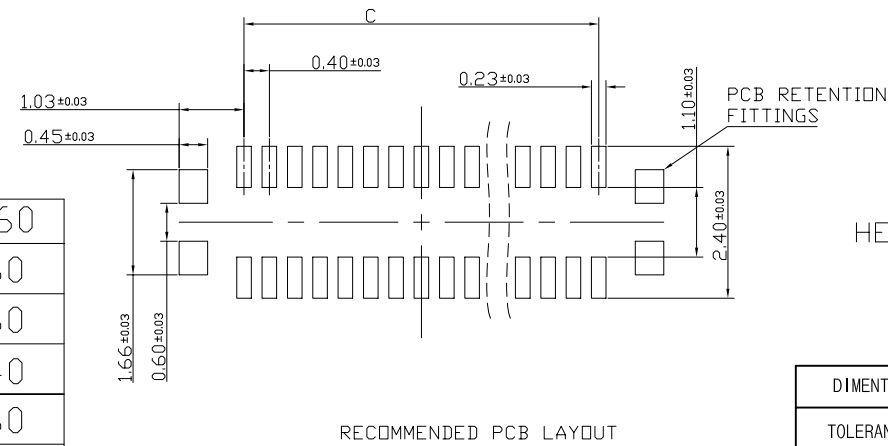


REV	ECN NO	DRA	APPD	DATE
A	FIRST RELEASE	George Gao	Human Zhou	2013.09.12



- Specifications:**
- Material:**
    - Molded portion: LCP resin ( UL94 V-0)
    - Contact and Post: Copper alloy.
  - Surface treatment:**
    - Terminal portion: Base: Ni plating Surface: Au plating (except the terminal tips) ; Exposed nickel portions.
    - Metal clips: Base: Ni plating Surface: Au flash plating (except the terminal tips) Or Base: Ni plating Surface: Sn flash plating (except the terminal tips)
  - Characteristics:**
    - Rated voltage: 60V AC/DC
    - Rated current: 0.3A/contact (Max. 5A at total contact)
    - Insulation resistance: Min. 1000MΩ (initial)
    - Breakdown voltage: 150V AC for 1 min.
    - Saltwater spray resistance (header and socket mated): 24 hours, insulation resistance min.100MΩ, contact resistance max. 90mΩ
    - Contact resistance: Max. 90mΩ
    - Ambient temperature: -55℃~+85℃
    - Storage temperature: -55℃~+85℃ (product only); -40℃~+50℃ (emboss packing)
    - Composite insertion force: Max. 0.981N/contacts X contacts (initial)
    - Composite removal force: Min. 0.165N/contacts X contacts
    - Post holding force: Min. 0.49N/contacts
    - Insertion and removal life: 50 times



OK-14M\*\*\*-04

HEADER \_\_\_\_\_ PITCH-0.4MM  
 \_\_\_\_\_ NUMBER OF CONTACTS

**TABLE:**

70	15.80	15.20	13.60
50	11.80	11.20	9.60
40	9.80	9.20	7.60
34	8.60	8.00	6.40
30	7.80	7.20	5.60
24	6.60	6.00	4.40
10	3.80	3.20	1.60
NUMBER OF CONTACTS	A	B	C

DIMENTION IN mm								
TOLERANCE UNLESS OTHERWISE SPECIFIED		APPD:	TITLE: 0.4MM BTB (MATING HEIGHT 0.8H)					
. ±0.20	. ±2°	CHKD:	DWG NO: OK-14M***-04					
.0 ±0.10	.0 ±1°	DRA: George Gao	PROJ	Q'TY	SIZE	SHEET	SCALE	REV
.00 ±0.05	.00 ±0.5°	2013.09.12	---	---	A4	1/1	1:1	A
.000 ±0.03	.000 ±0.3°							

REV	ECN NO	DRA	APPD	DATE
A	FIRST RELEASE	George Gao	Human zhou	2013.09.12

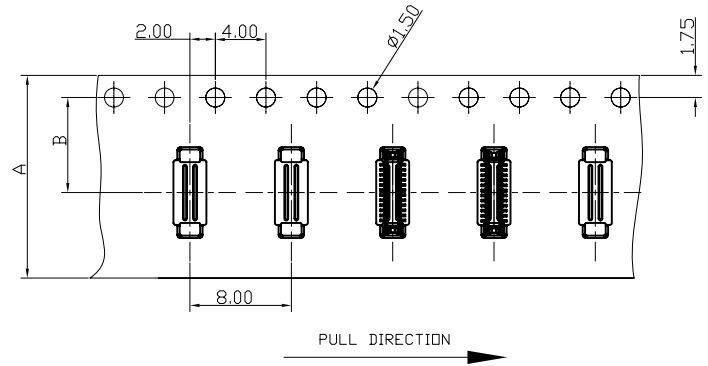
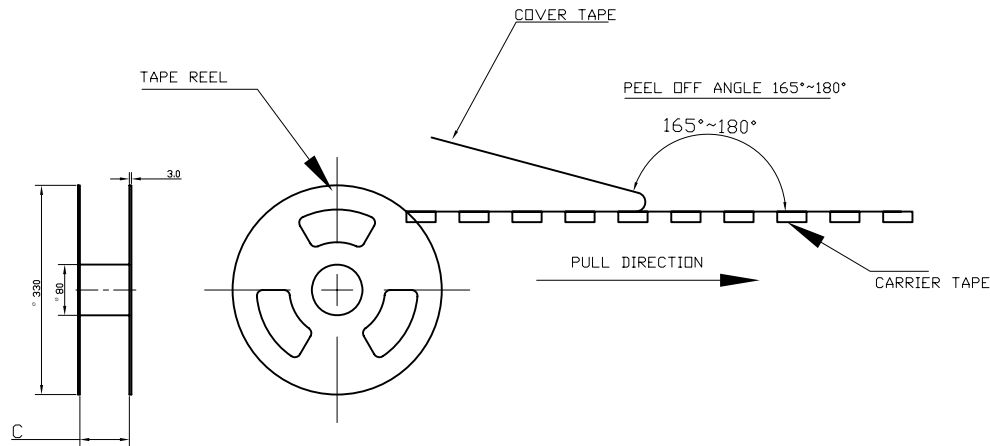

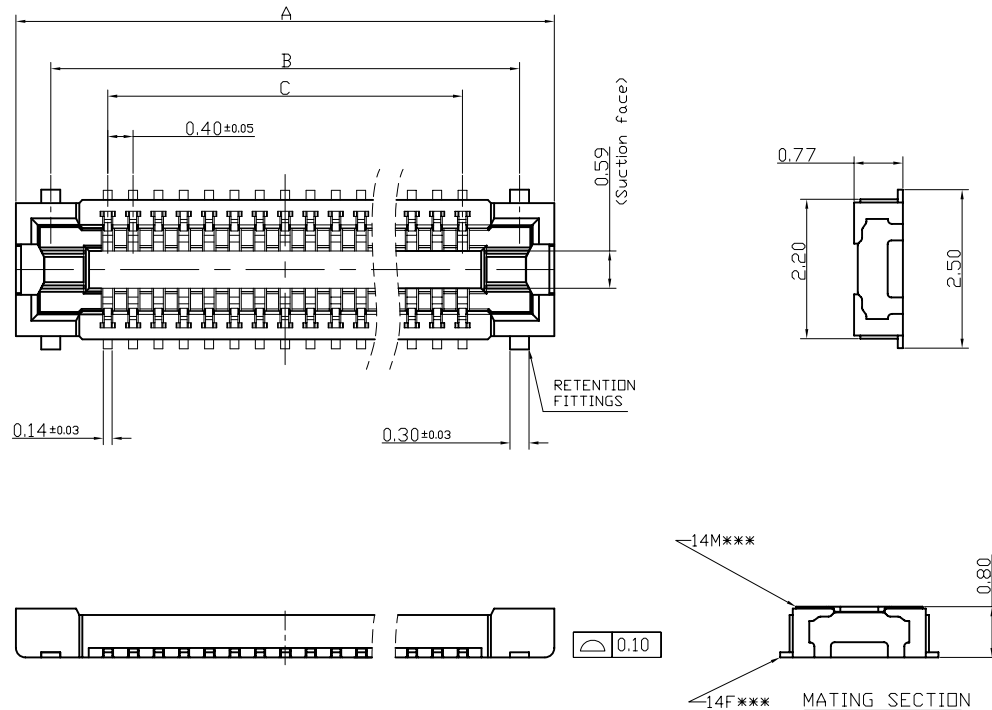


TABLE:

70	24.00	11.50	25.4	5000	
50					
40					
34					
30	16.00	7.50	17.4		
24					
10					
NUMBER OF CONTACTS	A	B	C		QTY/REEL

DIMENTION IN mm						
TOLERANCE UNLESS OTHERWISE SPECIFIED						
. ±0.20	. ±2°	APPD:	TITLE: 0.4MM BTB (MATING HEIGHT 0.8H)			
.0 ±0.10	.0 ±1°	CHKD:	DWG NO: OK-14M***-04			
.00 ±0.05	.00 ±0.5°	DRA: George Gao	PROJ	Q'TY	SIZE	SHEET
.000 ±0.03	.000 ±0.3°	2013.09.12	---	A4	1/1	SCALE
			1:1	REV	A	

REV	ECN NO	DRA	APPD	DATE
A	FIRST RELEASE	George Gao	Human Zhou	2013.09.18



**Specifications:**

**1) Material:**

- 1-1. Molded portion: LCP resin ( UL94 V-0)
- 1-2. Contact and Post: Copper alloy.

**2) Surface treatment:**

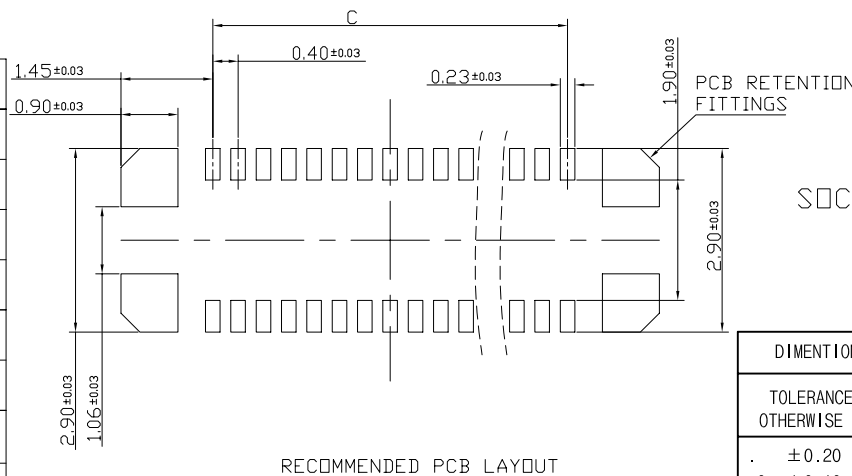
- 2-1. Terminal portion: Base: Ni plating Surface: Au plating (except the terminal tips) ; Exposed nickel portions.
- 2-2. Metal clips: Base: Ni plating Surface: Au flash plating (except the terminal tips) Or Base: Ni plating Surface: Sn flash plating (except the terminal tips)

**3) Characteristics:**

- 3-1. Rated voltage: 60V AC/DC
- 3-2. Rated current: 0.3A/contact (Max. 5A at total contact)
- 3-3. Insulation resistance: Min. 1000MΩ (initial)
- 3-4. Breakdown voltage: 150V AC for 1 min.
- 3-5. Saltwater spray resistance (header and socket mated): 24 hours, insulation resistance min.100MΩ, contact resistance max. 90mΩ
- 3-6. Contact resistance: Max. 90mΩ
- 3-7. Ambient temperature: -55℃~+85℃
- 3-8. Storage temperature: -55℃~+85℃ (product only); -40℃~+50℃ (emboss packing)
- 3-9. Composite insertion force: Max. 0.981N/contacts X contacts (initial)
- 3-10. Composite removal force: Min. 0.165N/contacts X contacts
- 3-11. Post holding force: Min. 0.49N/contacts
- 3-12. Insertion and removal life: 50 times

**TABLE:**

70	16.50	15.40	13.60
50	12.50	11.40	9.60
40	10.50	9.40	7.60
34	9.30	8.20	6.40
30	8.50	7.40	5.60
24	7.30	6.20	4.40
16	5.70	4.60	2.80
12	4.90	3.80	2.00
10	4.50	3.40	1.60



**OK-14F\*\*\*-04**

SOCKET      PITCH=0.4MM  
 NUMBER OF CONTACTS

DIMENTION IN mm								
TOLERANCE UNLESS OTHERWISE SPECIFIED		APPD:	TITLE: 0.4MM BTB (MATING HEIGHT 0.8H)					
. ±0.20	. ±2°	CHKD:	DWG NO: OK-14F***-04					
.0 ±0.10	.0 ±1°	DRA: George Gao	PROJ	Q'TY	SIZE	SHEET	SCALE	REV
.00 ±0.05	.00±0.5°	2013.09.18	---	A4	1/1	1:1	A	
.000±0.03	.000±0.3°							

NUMBER OF CONTACTS

REV	ECN NO	DRA	APPD	DATE
A	FIRST RELEASE	George Gao	Human zhou	2013.09.12

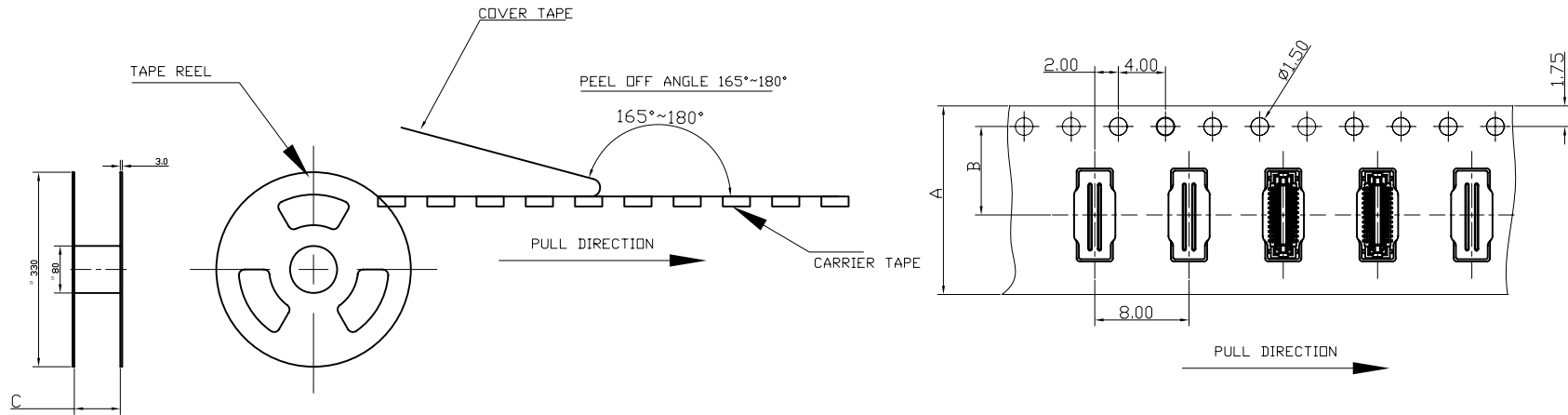

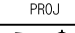


TABLE:

70	24.00	11.50	25.4	5000
50				
40				
34	16.00	7.50	17.4	
30				
24				
16	12	10		
10				
NUMBER OF CONTACTS	A	B	C	QTY/REEL

DIMENTION IN mm		 <b>运奇科技</b> <b>OCN TECHNOLOGY</b>						
TOLERANCE UNLESS OTHERWISE SPECIFIED		APPD:	TITLE:					
. ±0.20	. ±2°	CHKD:	0.4MM BTB (MATING HEIGHT 0.8H)					
.0 ±0.10	.0 ±1°	DWG NO:						
.00 ±0.05	.00 ±0.5°	OK-14F***-04						
.000 ±0.03	.000 ±0.3°	DRA:	PROJ	Q'TY	SIZE	SHEET	SCALE	REV
George Gao 2013.09.18			--	A4	1/1	1:1	A	