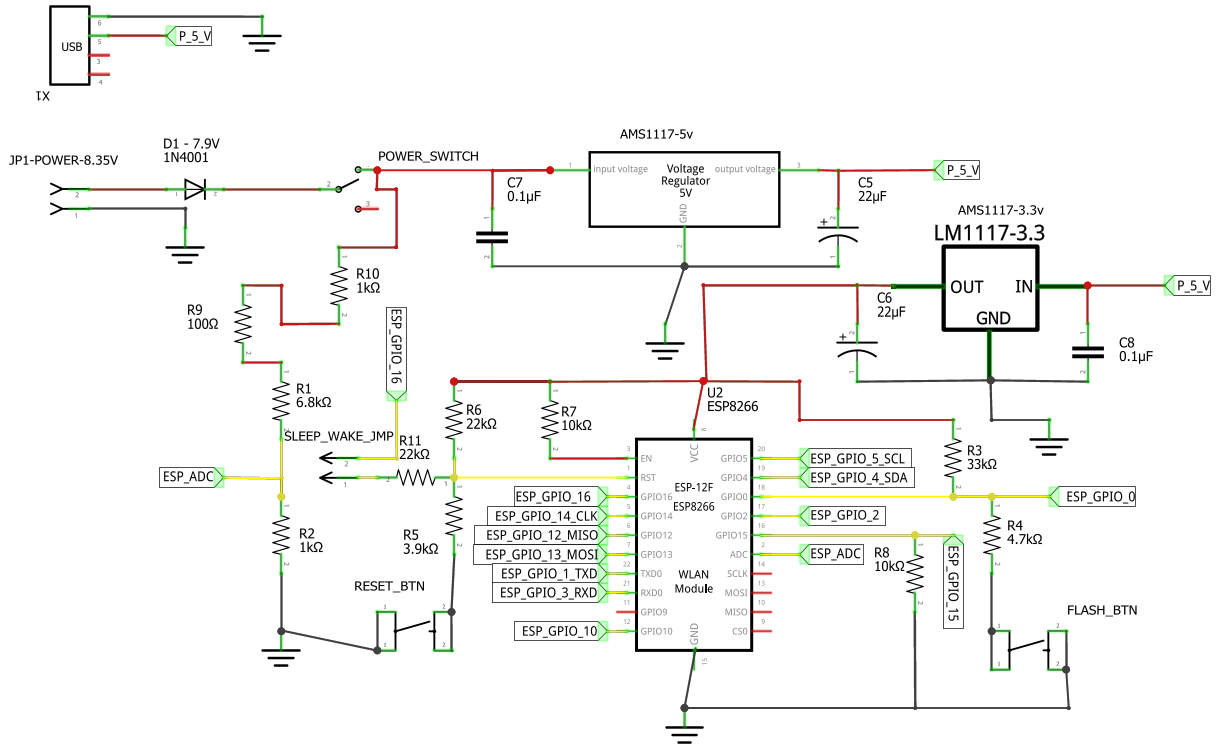


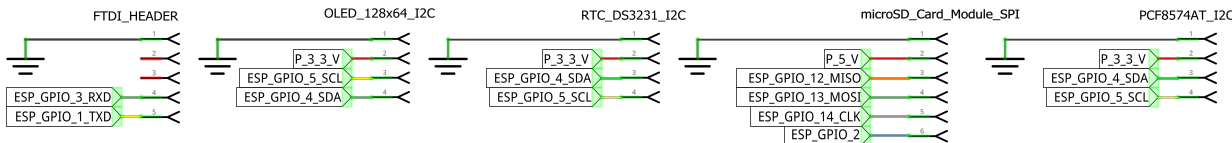
/!\ GPIO\_10 ONLY  
usable in DIO mode



Voltage divider for ADC:  
In : 8.35 ----> diode v\_drop ---->  
7.9 v so:  
R1 = 7900 ohm for 1 mah  
R2 = 1144 ohm for 1V ADC  
sensing.

Rules :  $U = R \cdot I$

$$V_{out} = V_{in} * (r2 / (r1 + r2))$$



Projet	ESP8266 SAB	
Nom du fichier	ESP8266_STANDALONE.fzz	Rév 1.1
Date	05 sept. 2019 09:50:26	Feuille 1/1