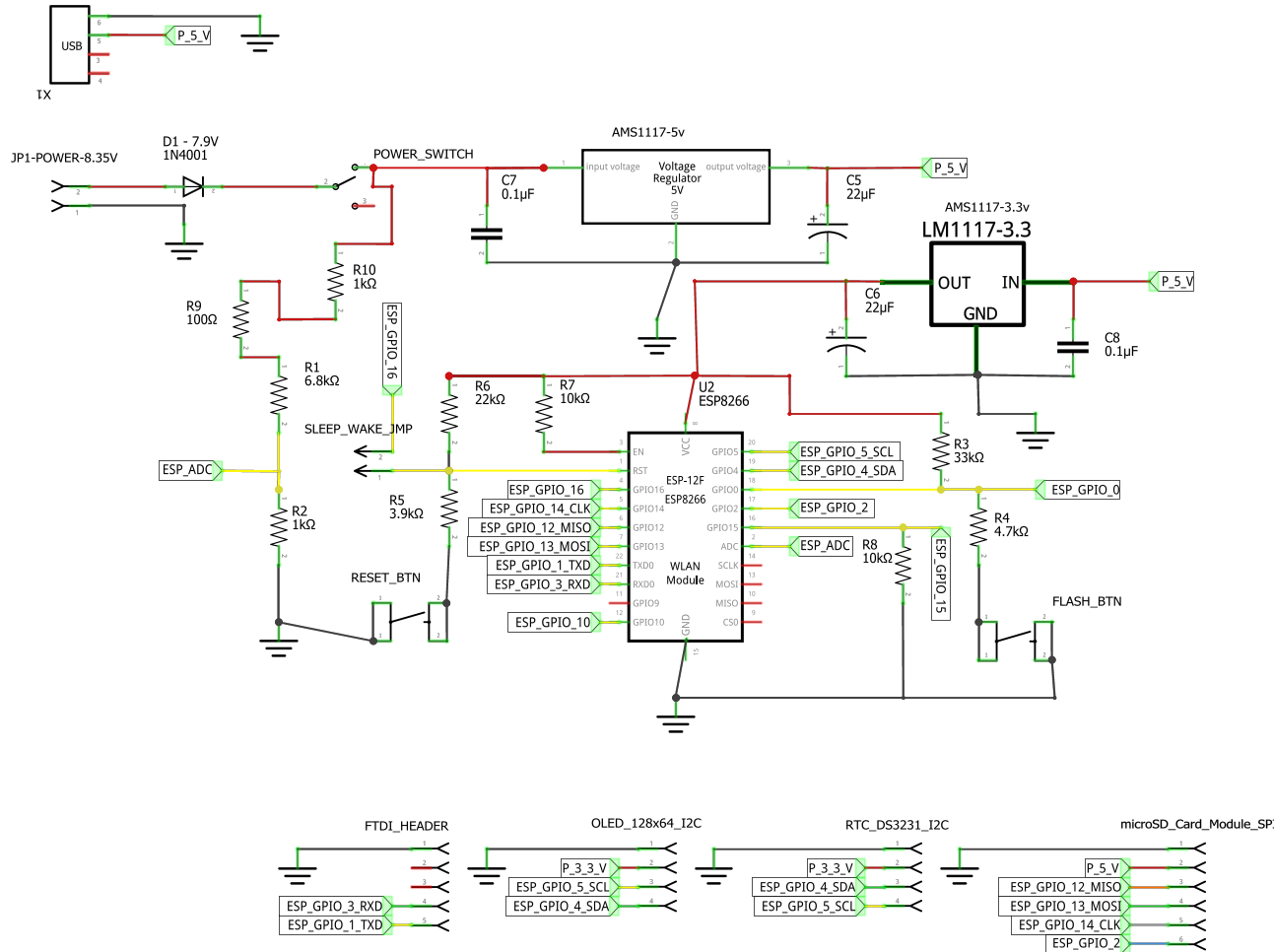


/!\ GPIO\_10 ONLY  
usable in DIO mode



Voltage divider for ADC:  
In : 8.35 ----> diode v\_drop -->  
7.9 v so:  
R1 = 7900 ohm for 1 mah  
R2 = 1144 ohm for 1V ADC  
sensing.

Rules :  $U = R \times I$

$$V_{out} = V_{in} * (r2 / (r1 + r2))$$

|                |                        |             |
|----------------|------------------------|-------------|
| Projet         | ESP8266 SAB            |             |
| Nom du fichier | ESP8266_STANDALONE.fzz | Rév 1.0     |
| Date           | 09 févr. 2019 20:20:26 | Feuille 1/1 |